

## DRAWING SHEET AMENDMENTS

Three formal drawings sheets are included herewith with corrections / changes to part numbering. Please substitute each of these corrected drawing sheets with the corresponding originally filed sheet. Thank you.

The first drawing sheet has Fig. 22 thereon. The change is that "346" on the second t-rocker has been corrected to read --364--.

The second drawing sheet has Fig. 25, Fig. 26 and Fig. 27 thereon. The change is that "370" on the broken-line area in Fig. 26 has been corrected to read --371--.

The third drawing sheet has Fig. 45 and Fig. 46 thereon. In Fig. 45 the number "753" and an indicator line have been added to the originally shown shaft of the rotary sensor 750. Also in Fig. 45 is the number "755" and an indicator line has been added to the originally shown terminals or solder tangs of the same sensor 750. The part numbers 753 and 755 have also been added to the specification language by amendments shown below.

Applicant believes no new matter has been added. If the Examiner believes that there is ANY chance that any change submitted by Applicant would possibly constitute new matter then the Examiner strongly requested by Applicant to so comment in writing so that the record regarding this issue is clear. Thank you.

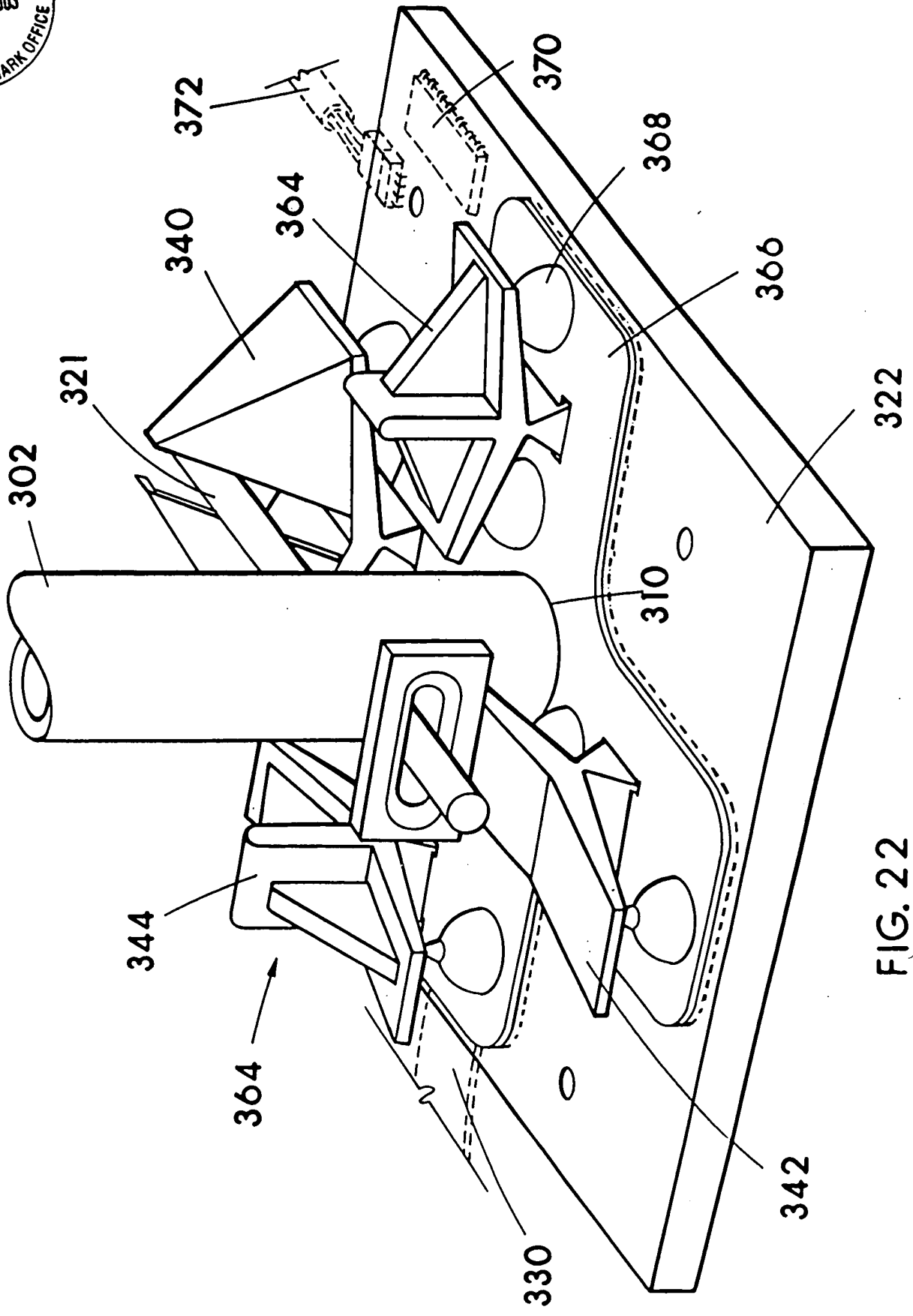


FIG. 22

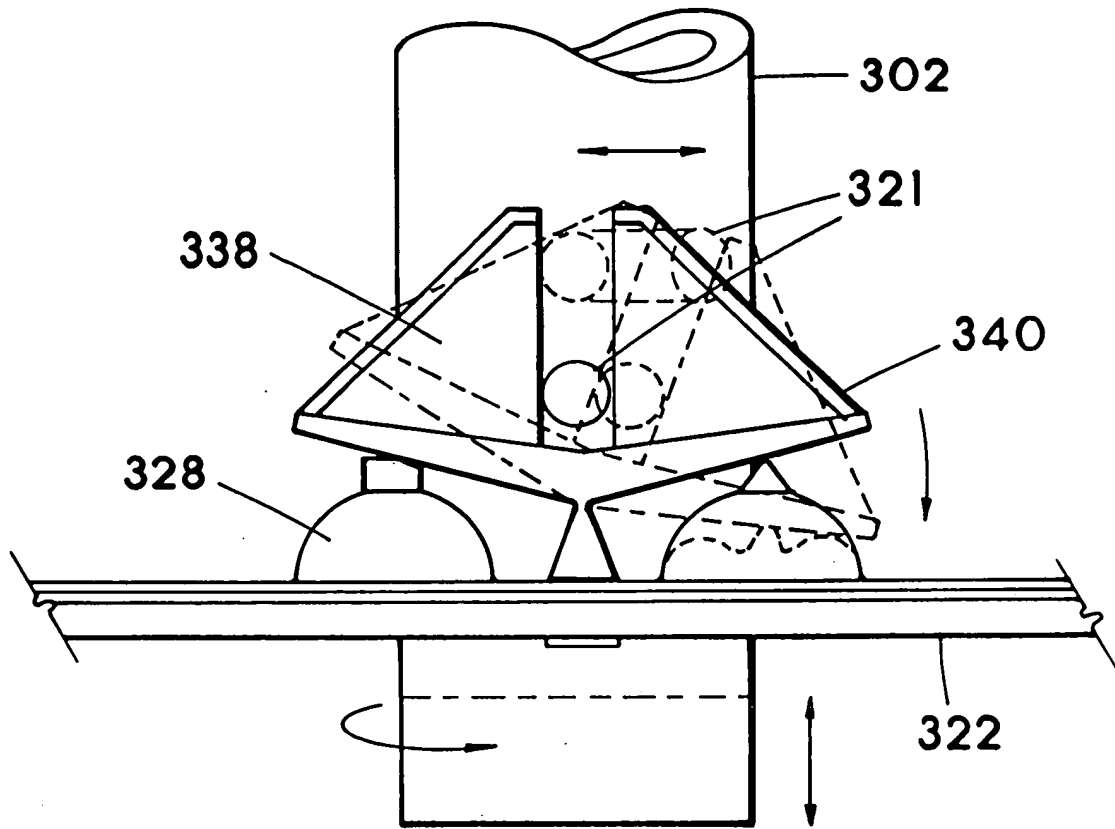


FIG. 25

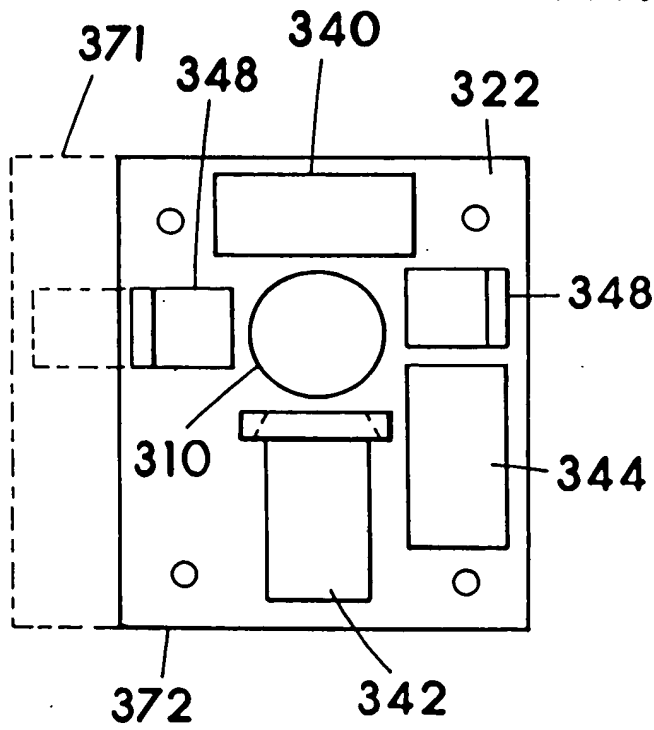


FIG. 26

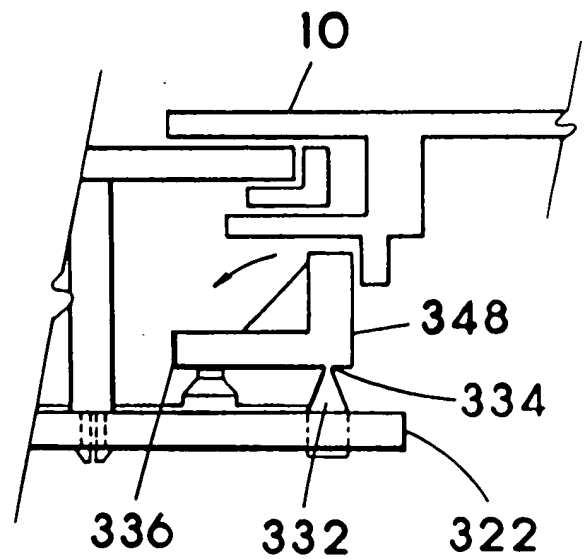


FIG. 27

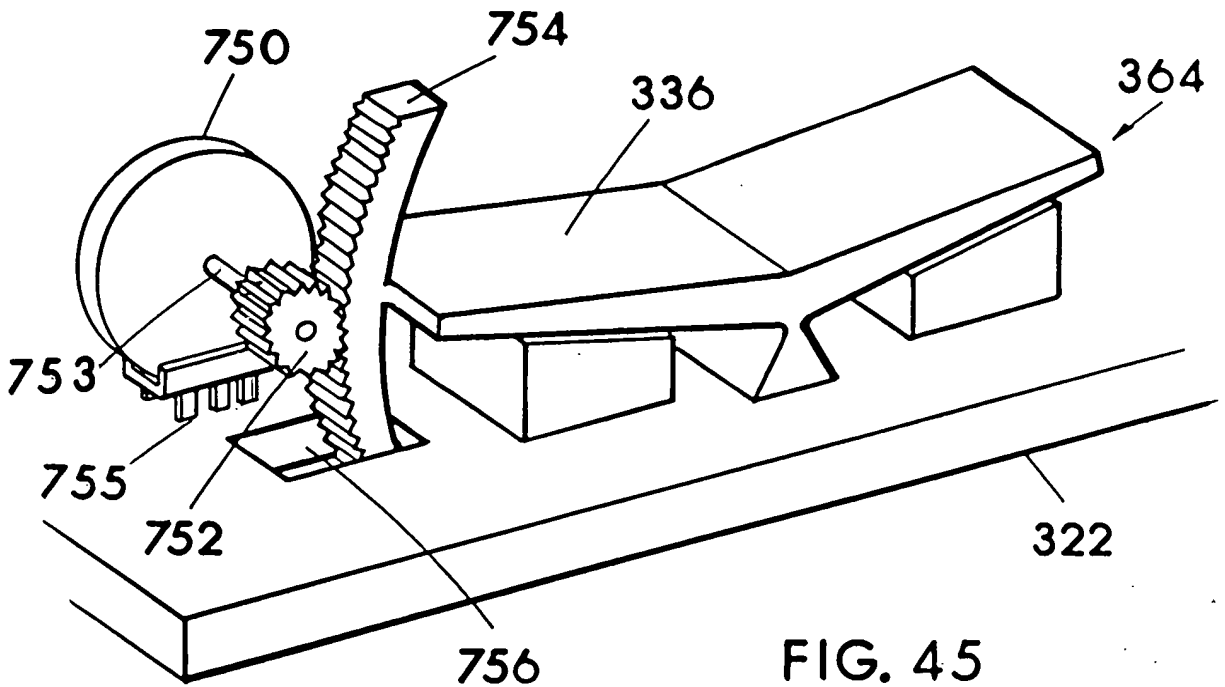


FIG. 45

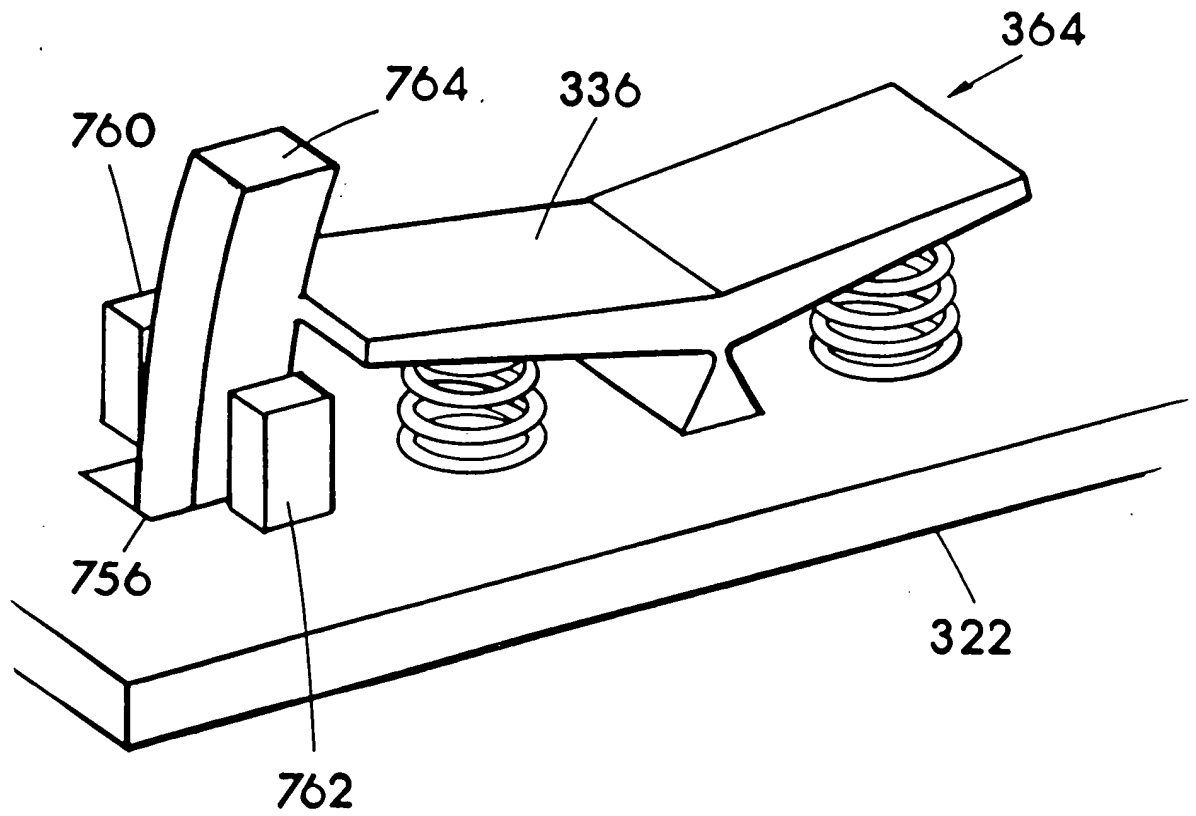


FIG. 46